

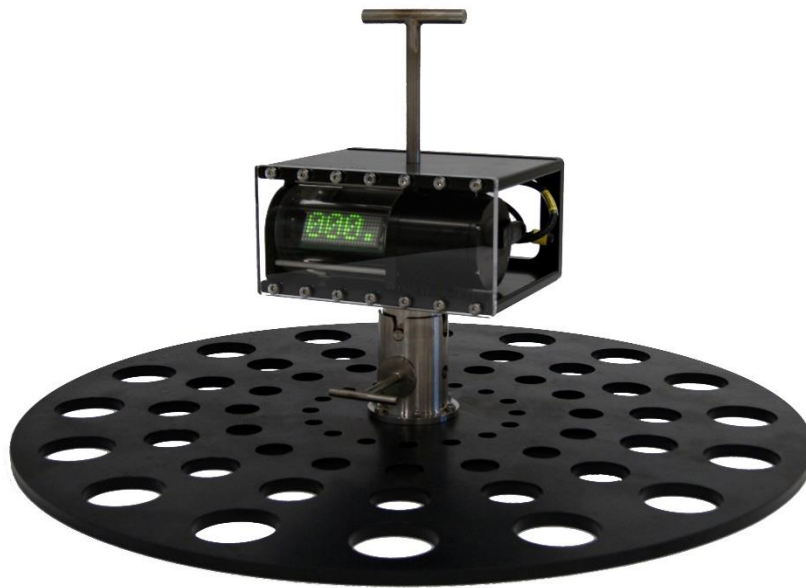


OceanTools

AMS and AMS-M

Attitude measurement systems

The **OceanTools AMS** and **AMS-M** are precision-engineered, self-contained *subsea inclinometer packages*. They each combine several **OceanTools** products into one robust frame to offer an *integrated* subsea inclination measurement system.



AMS-M integrated subsea inclinometer package

Overview

At the heart of the **AMS** is a very precise dual axis inclinometer housed in the same underwater housing frame as the display.

The **AMS** contains an *integral* battery pack which obviates the need for an umbilical to the surface. The unit remains in a low power consumption quiescent state until an ROV or diver shines a light on the display, which then wakes up and activates the system before it returns to sleep after a programmable delay.

The **AMS-M** is a more cost-effective version of the **AMS**, with a smaller display but without the light activation function.

Applications for the **AMS** and **AMS-M** include the installation of subsea manifolds, templates and other subsea structures.



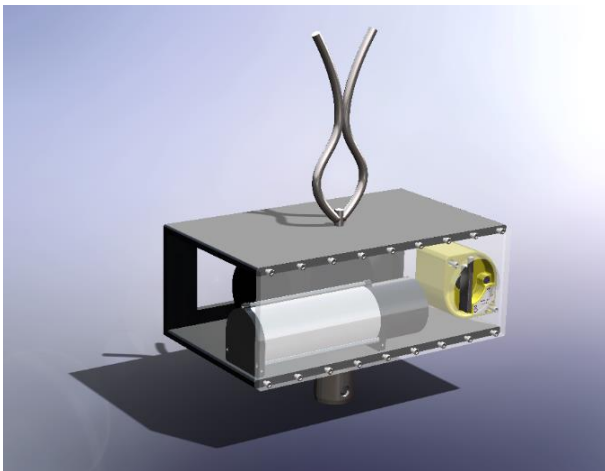
OceanTools

AMS and AMS-M

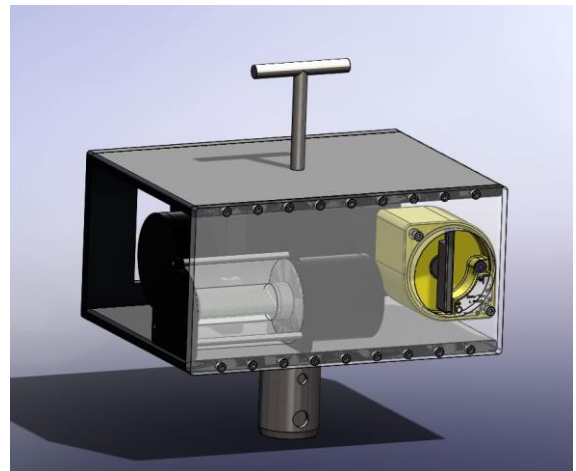
Attitude measurement systems

Configuration Options

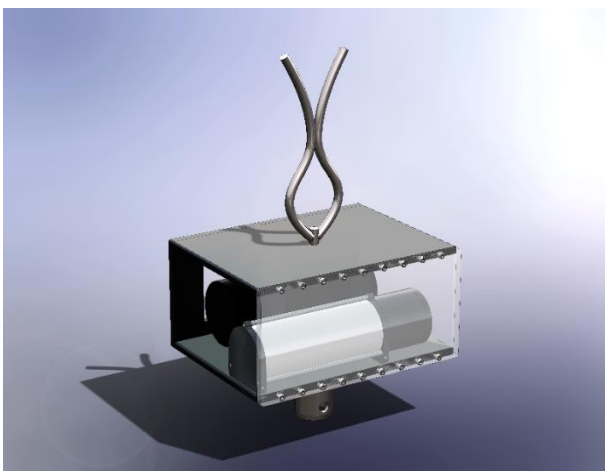
| | AMS | AMS-M |
|--------------------------------------|----------------|----------------|
| Depth rating | 1000m or 3000m | 1000m or 3000m |
| DISTIL variant | DISTIL | DISTIL-M |
| OceanCELL battery pack | Included | Included |
| C-Switch master on/off switch | Optional | Optional |
| MetroSTAB metrology stab | Optional | Optional |



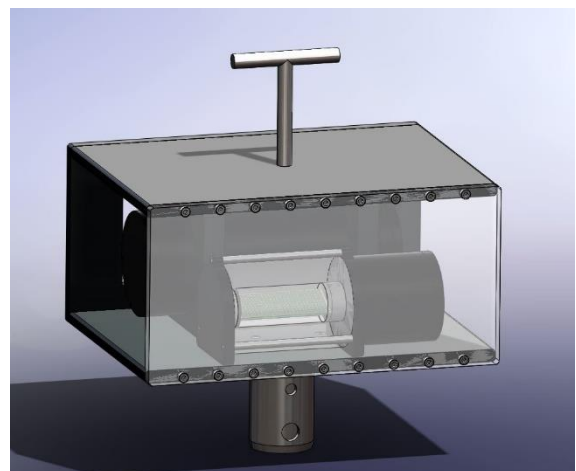
AMS with C-Switch



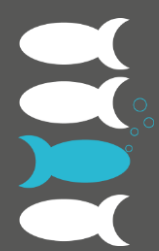
AMS-M with C-Switch



AMS without C-Switch



AMS-M without C-Switch



Specifications

| | AMS | AMS-M |
|--|---------------|--------------|
| Pitch range | ±180° | ±180° |
| Roll range | ±180° | ±180° |
| Pitch & roll accuracy 0°±10 | 0.05° | 0.05° |
| Pitch & roll resolution | 0.01° | 0.01° |
| Battery capacity | 12.6Ah | 12.6Ah |
| Operational current * | 150mA @ 24VDC | 75mA @ 24VDC |
| Frame width | 650mm | 500mm |
| Frame height ** | 250mm | 250mm |
| Frame depth | 385mm | 385mm |
| Weight in air | 50kg | 30kg |
| Weight in water | 20kg | 10kg |

** = typical value at full brightness | ** = excluding handle and metrology stab*

Related Products

VMS verticality measurement systems use similar inclinometer and display technology to the **AMS** range, but packaged in a low profile frame designed for verticality operations.

Gyro Survey Packages offer an advanced attitude or verticality measurement solution, providing survey grade heading, pitch, roll, azimuth and angle from a Fibre Optic Gyrocompass.