



OceanTools

C-Temp

Subsea temperature probe

The **OceanTools C-Temp** subsea temperature probe is a *compact* and *simple to use* measurement system with an accuracy of 0.5°C



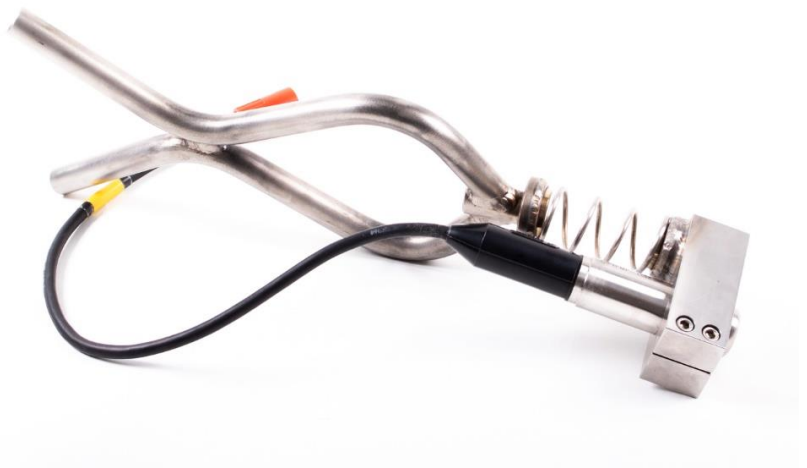
## Overview

A wide operating voltage range, 3000m depth rating and simple RS232 data output make it easy to interface the **C-Temp** temperature probe to ROV systems, seawater temperature monitoring packages, dataloggers and other data acquisition systems. Simple Windows display software is available.

The probe comes fitted with a short cable. An optional T-bar or Springy Fishtail handle can be supplied.

## Key Features

- 0 to 50°C measurement range
- 0.5°C accuracy
- Wide 10–30VDC operating voltage range
- 3000m depth rating
- RS232 serial data output



*Probe mounted in Springy Fishtail handle*

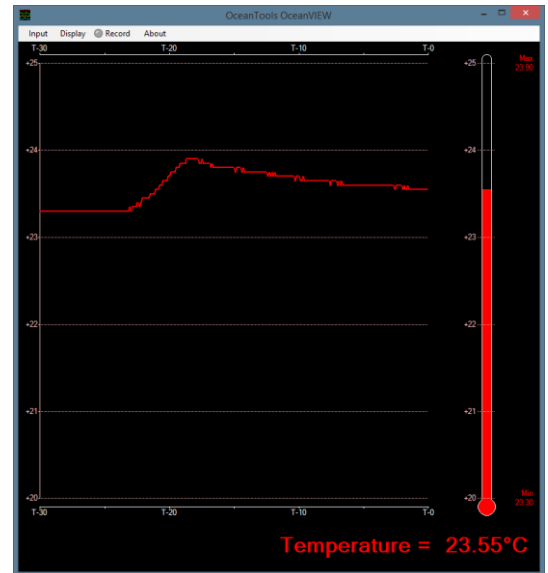


# OceanTools

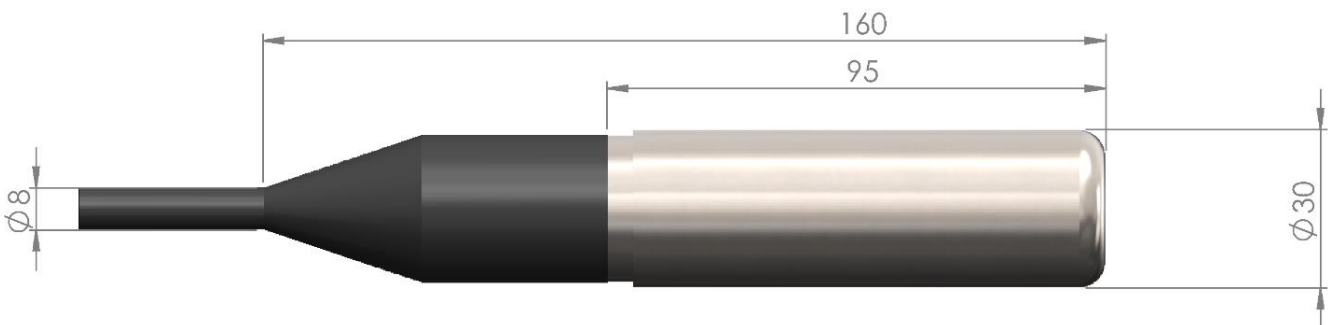
## C-Temp

### Subsea temperature probe

Specifications	
Measurement range	0 to 50°C
Measurement accuracy	0.5°C
Data output	RS232
Input voltage	10-30VDC
Maximum current	60mA @ 10VDC
Length (excl cable)	160mm
Diameter	30mm
Weight in air	530g
Weight in water	400g
Material	Stainless Steel
Depth rating	3000m
Cable length	0.5m
Standard connector	MCIL5M



Windows display software



Product datasheets, GA drawings, case studies and other supporting documents are available to download from [data.oceantools.co.uk](http://data.oceantools.co.uk)

All specifications are subject to change without notice. E&OE.

Version 10 (15.05.2023)



OceanTools Ltd  
OceanTools House Claymore Drive Aberdeen AB23 8GD  
t: +44 1224 709 606 e: sales@oceantools.co.uk  
[www.oceantools.co.uk](http://www.oceantools.co.uk)