

# OceanTools

## C9 Subsea Camera

### GigE Vision subsea camera

The **C9** range of compact GigE Vision compliant underwater monochrome and colour cameras feature a fully optically corrected front viewing port to offer uncompromised image quality.



### Overview

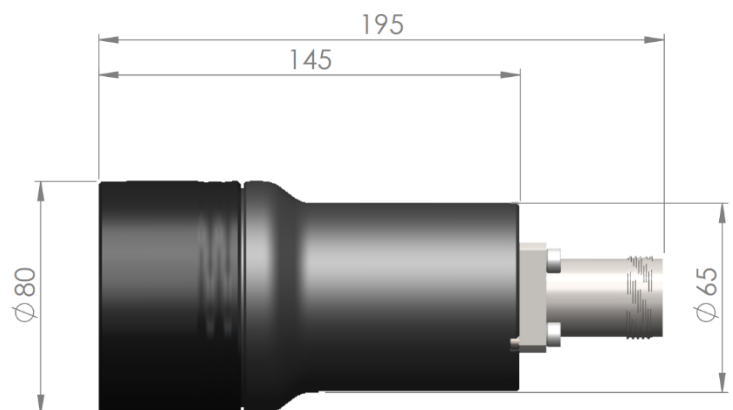
The **C9** monochrome and colour underwater cameras utilise industry leading Sony CMOS sensors with a GigE Vision compliant Gigabit Ethernet interface and global electronic shutter with exposure control. The camera has a wide input voltage range of 10–36VDC or alternatively Power over Ethernet (PoE) and a wide operating temperature range.

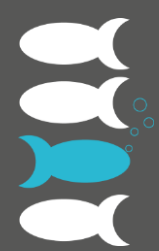
Particular care was taken with the optical design of the water corrected optics to ensure both wide angle viewing and minimal or no distortion through the fully optically corrected front viewing port.

Developed for ROV use, the cameras are designed to be as rugged and durable as possible. An anodised aluminium housing rated to 2000m is supplied as standard, with a 6000m rated titanium housing available as an option.

### Key Features

- Domed BK7 glass optically corrected viewport
- AIA GigE Vision v1.2 compliant interface
- Uses standard Gigabit Ethernet hardware
- Supports cable lengths up to 100m
- 2000m rated anodised aluminium housing





# OceanTools

## C9 Subsea Camera

### GigE Vision subsea camera

## Specifications

		C9-10 Mono	C9-20 Colour
<b>GigE Vision Cameras</b>			
<b>Optical</b>	<b>Standard lens</b>	6mm	
	<b>Focus</b>	Manually adjustable	
	<b>Depth of field</b>	100mm to infinity	
	<b>FOV in air</b>	66.1°(H) X 50.8°(V)	
<b>Video</b>	<b>Sensor type</b>	1/1.8" SONY CMOS	
	<b>Pixel resolution</b>	2048(H) x 1536(V) 3 Megapixel	
	<b>Frame rate</b>	55 fps (burst mode)	
	<b>Dynamic range</b>	76.4dB	
	<b>Video output</b>	AIA GigE Vision v1.2 compliant	
	<b>Video format</b>	8- or 12-bit Monochrome	8- or 12-bit Bayer / RGB / YUV
<b>Environmental &amp; Electrical</b>	<b>Operating depth</b>	2000m	
	<b>Operating temperature</b>	-10°C to +50°C	
	<b>Network interface</b>	Gigabit Ethernet (1000 Mbps)	
	<b>PoE standard</b>	IEEE 802.3af	
	<b>Input voltage</b>	24VDC (10–36VDC) or PoE	
	<b>Maximum current</b>	300mA @ 24VDC	
<b>Mechanical</b>	<b>Length incl connector</b>	195mm	
	<b>Length excl connector</b>	145mm	
	<b>Diameter</b>	80mm max, 65mm body	
	<b>Weight in air</b>	1.1kg	
	<b>Weight in water</b>	0.8kg	
	<b>Housing material</b>	Anodised Aluminium	
	<b>Viewing port material</b>	High Performance BK7 Glass	
	<b>Standard connector</b>	CRE FRA12MBA106601 (alternatives available)	

Product datasheets, GA drawings, case studies and other supporting documents are available to download from [data.oceantools.co.uk](http://data.oceantools.co.uk)

All specifications are subject to change without notice. E&OE.

Version 4 (21.12.2023)

