



# OceanTools

## EM1

# Single function electric manipulator

The OceanTools **EM1** is a compact and cost effective single function electric manipulator designed for use on smaller ROVs.



## Overview

The **EM1** electric grabber manipulator may be used for a range of applications including recovering ordnance from the seafloor or for stabilising the ROV by holding onto an object.

The jaw head is detachable, allowing for other attachments to be fitted by the operator including rope cutters, sampling bottles and a magnetic clamp.

Operation is very simple: apply +24VDC to open and -24VDC to close the jaw. Up to 20kg jaw tip load can be achieved.

The 50mm diameter main housing allows the unit to be mounted securely to the ROV.

## Key Features

- Single open/close function
- DC powered operation
- Interchangeable jaw head attachment
- 800m depth rating





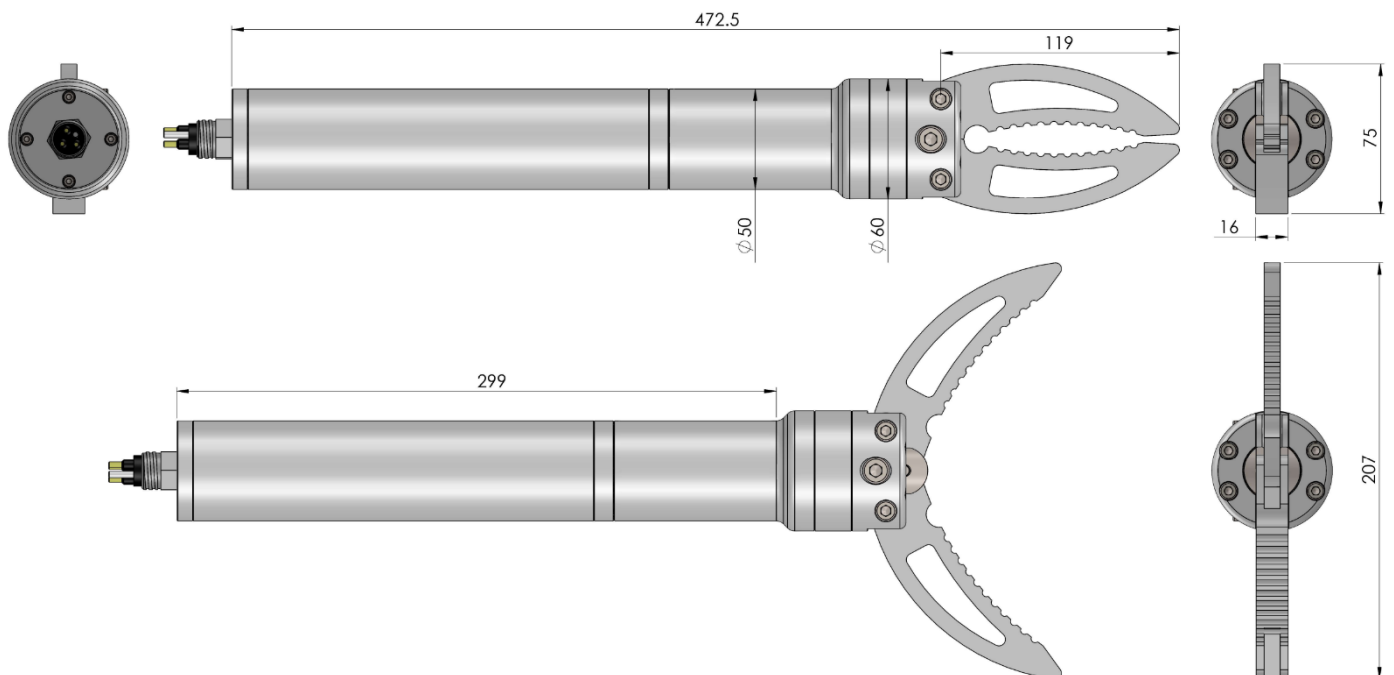
# OceanTools

## EM1

# Single function electric manipulator

## Specifications

	EM1
<b>Input voltage</b>	±24VDC
<b>Maximum current</b>	0.5A @ 24VDC
<b>Maximum jaw tip load</b>	20kg
<b>Jaw extent (jaw closed)</b>	75mm
<b>Jaw extent (jaw open)</b>	207mm
<b>Main housing diameter</b>	50mm
<b>Overall length (excl connector)</b>	473mm
<b>Standard connector</b>	SubConn MCBH3M
<b>Housing material</b>	Anodised aluminium
<b>Depth rating</b>	800m
<b>Weight in air</b>	2.1kg
<b>Weight in water</b>	0.9kg



Product datasheets, GA drawings, case studies and other supporting documents are available to download from [data.oceantools.co.uk](http://data.oceantools.co.uk)  
All specifications are subject to change without notice. E&OE.

Version 5 (21.07.2023)



OceanTools Ltd  
OceanTools House Claymore Drive Aberdeen AB23 8GD  
t: +44 1224 709 606 e: sales@oceantools.co.uk  
[www.oceantools.co.uk](http://www.oceantools.co.uk)