

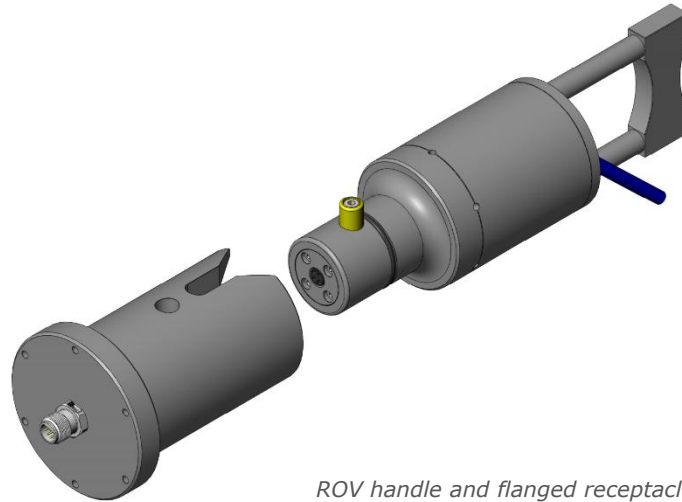


OceanTools

ElectroSTAB & MetroSTAB

Subsea electrical and metrology stabs

ElectroSTAB is a quick release ROV wet mate electrical connector with a range of plug and receptacle mounting options.



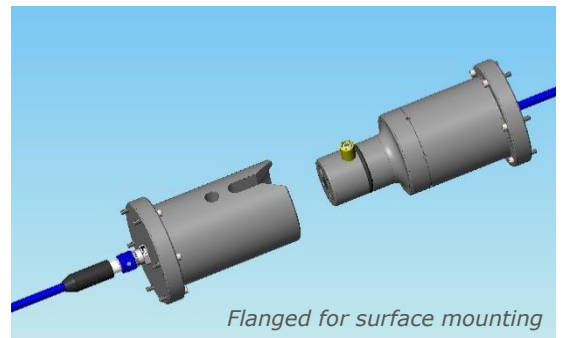
ROV handle and flanged receptacle

Overview

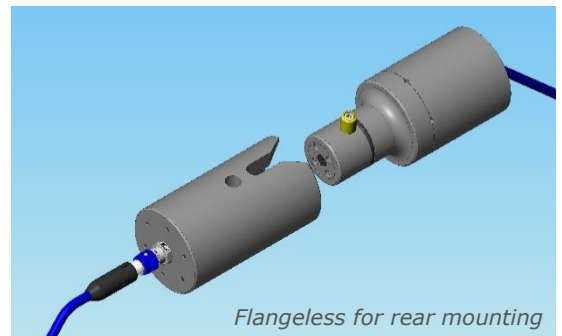
The **ElectroSTAB** has a functional and cost effective design with a range of electrical pin connections, utilising a friction push fit connection for ease of mating. Durable and light Acetal housings reduce corrosion issues to a minimum.

The wet mate plug can be fitted with an ROV handle. Flanged or flangeless mounting options are available for the plug and receptacle.

Specifications	
Contact count	2, 3, 4, 5, 6, or 8 way
Maximum voltage	300V DC/AC
Maximum current per contact	10A (2 to 4 contacts) 5A (5 to 8 contacts) 20A total per connector
Insulation resistance	> 200 MΩ
Contact resistance	< 0.01 Ω
Wet mating cycles	> 500
Depth rating	6000m



Flanged for surface mounting



Flangeless for rear mounting





OceanTools

ElectroSTAB & MetroSTAB

Subsea electrical and metrology stabs

MetroSTAB is a precision engineered stainless steel stab with four cardinal point locking positions for metrology purposes.



Overview

The **MetroSTAB** comprises male and female sections that stand approximately 180mm tall when engaged, held in the desired orientation by an ROV removable lock-pin. Rotating between and locking into the four cardinal points, a mounted item is easily and securely oriented as required.

Key Features

- Ultra-high tolerances for zero backlash
- Stainless steel construction
- Allows mounted item to be rotated in 90° increments
- No depth limitations
- Supplied with ROV removable lock-pin
- Total weight 6kg



Product datasheets, GA drawings, case studies and other supporting documents are available to download from data.oceantools.co.uk

All specifications are subject to change without notice. E&OE.

Version 2 (27.10.2021)



OceanTools Ltd
OceanTools House Claymore Drive Aberdeen AB23 8GD
t: +44 1224 709 606 e: sales@oceantools.co.uk
www.oceantools.co.uk