

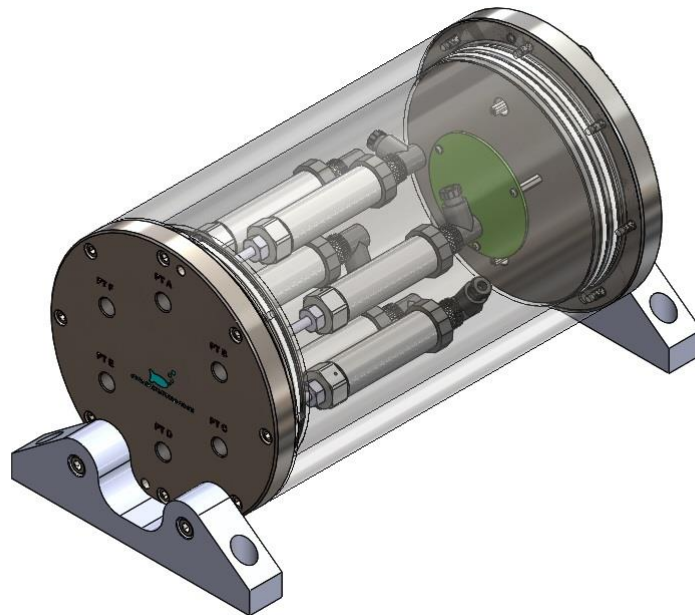


# OceanTools

## GaugePOD

### Subsea pipeline pressure testing system

The **OceanTools GaugePOD** is a subsea pipeline pressure and temperature monitoring system with datalogging and display output capabilities.



## Overview

The **GaugePOD** contains six pressure/temperature transducers rated to measure pressures up to 20,000psi (1,400bar) and temperatures from -40°C to +130°C at an accuracy of  $\pm 0.1\%$ . Integral electronics allow remote monitoring of the associated battery status including on-load voltage.

The high capacity datalogger can record RS485 serial data from all six transducers. A Real Time Clock with battery backup allows logged data to be timestamped, with total recording capacity limited only by the installed Micro SD card. Data extraction is performed via a serial port (or via an optional Ethernet or Bluetooth interface) without opening the pressure housing.

The internal control electronics may be programmed to offer additional functionality. Live pressure and temperature data from the transducers plus battery status can be fed to an **OceanDISP-7K** deep ocean display unit, to be shown on a high visibility LED matrix display.

The anodised aluminium housing has a 4000m depth rating, with separate high-pressure ports for each input, an auxiliary display output, and a subsea battery connector that doubles as the surface data extraction connector.



*OceanDISP-7K*



# OceanTools

## GaugePOD

### Subsea pipeline pressure testing system

## Specifications

	GaugePOD
Pressure ports	6 x Autoclave F250C High-Pressure Port
Maximum pressure	20,000psi (1,400bar)
Temperature range	-40°C to +130°C
Sensor accuracy	±0.1%
Operating current	90mA @ 24VDC
Datalogger capacity	Micro SD up to 1TB
Connectors	2 x Glenair 5507-1508
Length (excl connectors)	418mm
Diameter	210mm
Weight in air	19kg
Weight in water	6kg
Operating temperature	0°C to +45°C
Depth rating	4000m

## Related Products

An **OceanCELL** subsea battery pack provides power to subsea devices. A range of standard battery capacities up to 38Ah are available depending on expected deployment durations.

A **C-Switch** ROV or diver operated underwater switch can reliably isolate a battery pack from powered devices for safer operation both on deck and subsea.

A **SmartSWITCH** programmable pressure switch can prolong the life of subsea battery packs by supplying power to devices only when the required operating depth is reached.

Product datasheets, GA drawings, case studies and other supporting documents are available to download from [data.oceantools.co.uk](http://data.oceantools.co.uk)

All specifications are subject to change without notice. E&OE.

Version 2 (16.04.2021)



OceanTools Ltd  
OceanTools House Claymore Drive Aberdeen AB23 8GD  
t: +44 1224 709 606 e: sales@oceantools.co.uk  
[www.oceantools.co.uk](http://www.oceantools.co.uk)