



OceanTools

L6 Subsea Light

120V AC/DC powered subsea LED lamp

120VAC or 120VDC powered subsea flood and spot lamps with up to 12,000 lumen output, supporting serial or analogue control.



The OceanTools **L6** subsea lamp utilises the very latest in LED technology and optics to give unrivalled performance. The 120VAC or 120VDC powered **L6** is based on our already very successful market leading **L5** lamp, providing up to 12,000 lumens output with multiple ROV control options.

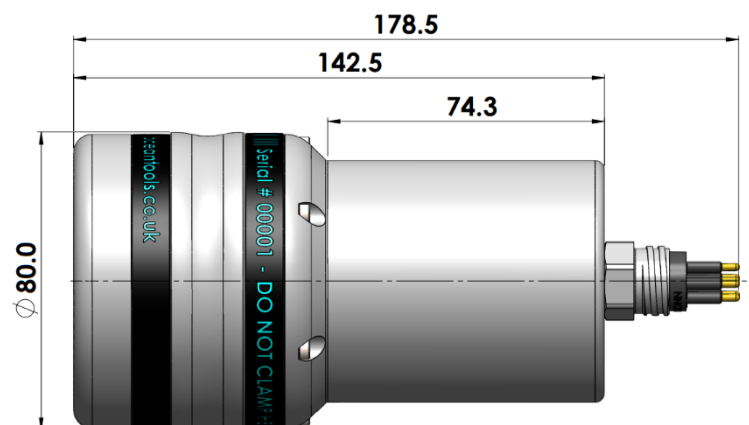
L6 lamps are available in both flood and spot versions, and form part of a range of subsea lamps designed by OceanTools based on client requirements. The lamp housings are available in two depth ratings – 4000m aluminium and 8000m titanium – with provision for a mounting bracket or clamp.

Key Product Features

- Flicker-free RS232, RS485 or Analogue control options
- Field serviceable including in-field replacement of LED board
- 24 LED flood or focused 12 LED spot versions
- Multiple colour temperature options
- Operating life > 50,000 hours
- Provision for mounting bracket or clamp

Key Product Benefits

- Low lifetime cost of ownership
- Highly versatile and multi-functional
- Ease of system integration





OceanTools

L6 Subsea Light

120V AC/DC powered subsea LED lamp

Specifications

	L6 Flood	L6 Spot
Environmental		
Depth rating	4000 or 8000 metres	
Operating temperature	-10°C to +40°C	
Storage temperature	-30°C to +70°C	
Electrical		
Input voltage	120VAC (110–130VAC) or 120VDC (115–155VDC)	
Maximum current	1A @ 120VAC *	
Dimming	RS232, RS485 or 0-5/10VDC	
Optical		
Light output	Up to 12,000 lumens *	Up to 5,000 lumens
Lumen maintenance	> 50,000 hours	
Efficiency (typical)	> 100 lumens/Watt	
Beam angle	110°	60°
Colour temperature	6500 Kelvin (5700 or 3700 Kelvin optional)	
Mechanical		
Housing	Anodised Aluminium (4000m) or Titanium (8000m)	
Window	Sapphire Glass	
External diameter	80mm	
External length	142.5mm	
Weight in air	1.25kg (4000m) or 1.8kg (8000m, approx)	
Weight in water	0.7kg (4000m) or 1.1kg (8000m, approx)	
Connector	Subconn MCBH8M or Glenair G5507-1506 (others on request)	
* 8000m rated L6 Flood current limited to approx 0.5A, hence up to 6,000 lumens		

Product datasheets, GA drawings, case studies and other supporting documents are available to download from data.oceantools.co.uk
 All specifications are subject to change without notice. E&OE.

Version 5 (10.10.2023)



OceanTools Ltd
 OceanTools House Claymore Drive Aberdeen AB23 8GD
 t: +44 1224 709 606 e: sales@oceantools.co.uk
www.oceantools.co.uk