

The **OceanTools MetroSTAB** is a *precision engineered stainless steel stab* for metrology purposes.

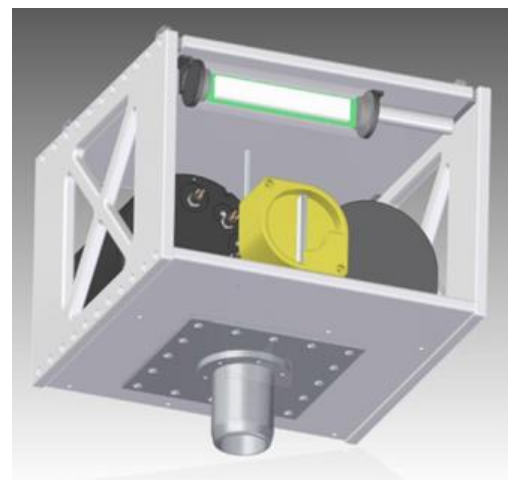


## Overview

The stab comprises male and female sections that stand 150mm tall when engaged, held in the desired orientation by an ROV removable lock-pin. Rotating between and locking into the four cardinal points, a mounted item is easily and securely oriented as required.

## Key Features

- Ultra-high tolerances for zero backlash
- Stainless steel construction
- Allows mounted item to be rotated in 90° increments
- No depth limitations
- Supplied with ROV removable lock-pin
- Total weight 6kg



*Gyro Survey Package with MetroSTAB fitted*