

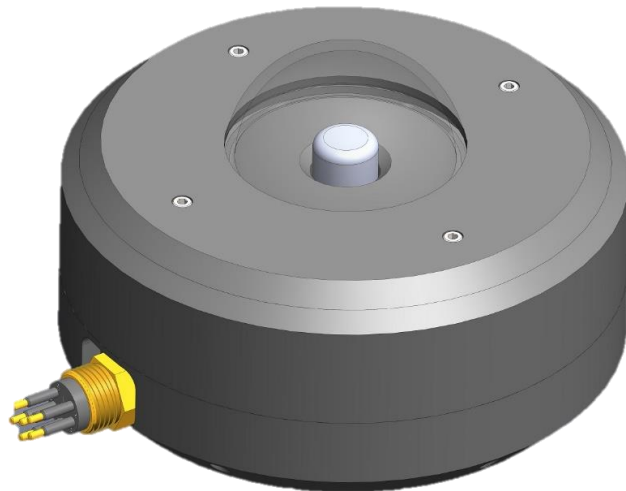


OceanTools

OceanCAM-IP/F

Internet Protocol Fisheye camera

The **OceanCAM-IP/F** underwater Internet Protocol Fisheye camera operates in low light level conditions, with a hemispherical window offering a near 180° field of view.



## Overview

The **OceanCAM-IP/F** camera has been designed to serve a wide range of roles underwater, operating in low light conditions with a 120dB Wide Dynamic Range. An ultra wide angle fisheye lens is paired with an innovative hemispherical window to offer a near 180° field of view.

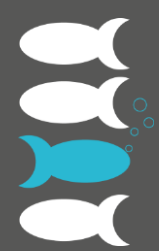
Colour HD video (including 1080p) is streamed using standard Internet Protocols, with a remote configuration interface. Lower definition streams including 720p and 360p and a range of video bit rates are also supported.

The compact acetal subsea camera unit has a 300m depth rating, with a choice of side or rear connector positions to allow different mounting arrangements. A single subsea connector supports data and power, with optional Power over Ethernet (PoE) for easy integration.

## Related Products

The **OceanCAM-IP** range includes compact cameras with a choice of fixed lenses. **OceanCAM-IP/Z** zoom cameras feature a zoom lens with 2.8–12mm focal length.

**Hydra** is a Pelicase housed Video Control Unit that can control up to eight **OceanCAM-IP** cameras. Live video from all cameras is displayed on the built-in HD display, and the unit can simultaneously digitally record the high definition video footage from all connected cameras.



# OceanTools

## OceanCAM-IP/F

### Internet Protocol Fisheye camera

## Specifications

	OceanCAM-IP/F
<b>Lens type</b>	Fisheye
<b>Focal length</b>	1.05mm
<b>Field of view</b>	Near 180°
<b>CMOS sensor size</b>	1/2.5"
<b>Minimum illumination</b>	0.01 Lux/F1.2
<b>Maximum resolution</b>	2560 x 1920
<b>Compression standards</b>	H.265+ / H.265 / H.264+ / H.264 / MJPEG
<b>Network protocols</b>	RTSP / FTP / DHCP / UPnP
<b>Interface standards</b>	ONVIF (Profile S & G) / ISAPI
<b>Network interface</b>	10M/100M Ethernet
<b>Input voltage</b>	12–24VDC or PoE 802.3af
<b>Maximum current</b>	450mA @ 12VDC
<b>Length (excl connector)</b>	100mm
<b>Diameter (excl connector)</b>	160mm
<b>Material</b>	Delrin
<b>Depth rating</b>	300m
<b>Weight in air</b>	2.0kg
<b>Weight in water</b>	0.6kg
<b>Operating temperature</b>	-30°C to +60°C
<b>Standard connector</b>	Subconn MCBH6M
<b>Connector position</b>	Side or Rear

Product datasheets, GA drawings, case studies and other supporting documents are available to download from [data.oceantools.co.uk](http://data.oceantools.co.uk)  
All specifications are subject to change without notice. E&OE.

Version 3 (30.01.2019)



OceanTools Ltd  
OceanTools House Claymore Drive Aberdeen AB23 8GD  
t: +44 1224 709 606 e: sales@oceantools.co.uk  
[www.oceantools.co.uk](http://www.oceantools.co.uk)