



OceanTools

OceanTILT

Precision tilt sensor

The **OceanTools OceanTILT** is a very *cost-effective*, compact, precision dual axis subsea inclinometer/attitude reference unit that measures both *pitch* and *roll* to an accuracy of 0.05° .



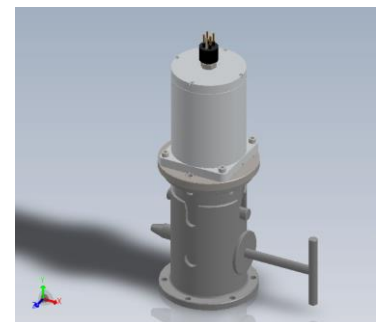
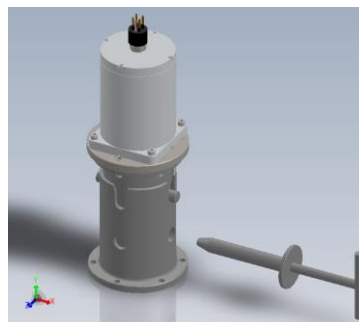
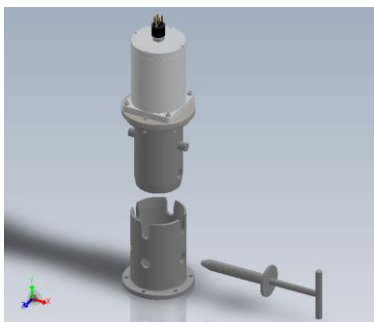
Overview

The unit is available in 1000m and 3000m depth ratings as standard but may be offered down to full ocean depth rating. RS232 and RS485 outputs are jumper-selectable within the unit.

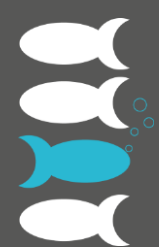
Pitch and Roll are output as standard, or the unit can be set up for verticality applications where Angle and Quadrant are output instead.

Simple to use Windows display software allows Pitch and Roll or Angle and Quadrant information to be viewed in several modes, including a digital bullseye mode.

OceanTILT is also available with an optional integral metrology stab.



Optional metrology stab with ROV operable lock pin



OceanTools

OceanTILT

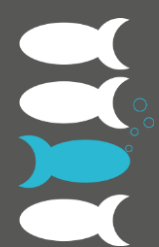
Precision tilt sensor

Key Features

- Standard depth ratings 1000m and 3000m
- 180° operating range
- Integral diagnostics
- RS232 & RS485 outputs, simple ASCII data output
- Simple to use Windows software
- Optional precision CNC machined metrology stab

	OceanTILT	TILT-STAB
Pitch range	±180°	
Roll range	±180°	
Pitch and roll accuracy 0°±10	0.05°	
Pitch and roll resolution	0.01°	
Underwater connector	5 pin micro Subconn (or customer specified)	
Operating temperature	-30°C to 55°C	
Data outputs	RS232 or RS485	
Baud rates	1200, 2400, 4800 or 9600	
Input voltage	9–36VDC	
Operating current	27mA @ 24VDC	
Height (excluding connector)	130mm*, 140mm**	275mm*, 285mm**
Diameter	92mm*, 100mm**	121mm
Weight in air	1.1kg*	7.1kg
Weight in water	0.5kg*	6.0kg (estimated)

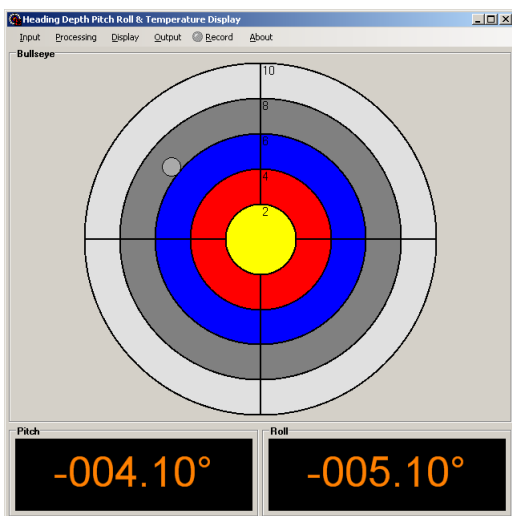
* 1000m version, ** 3000m version



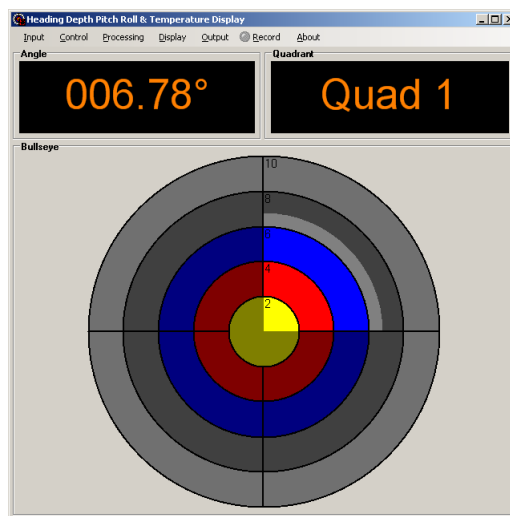
OceanTools

OceanTILT

Precision tilt sensor



Digital bullseye indicating pitch and roll



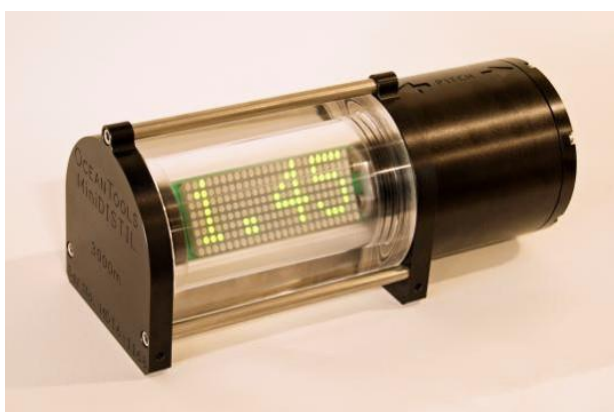
Digital bullseye indicating angle and quadrant

Related Products

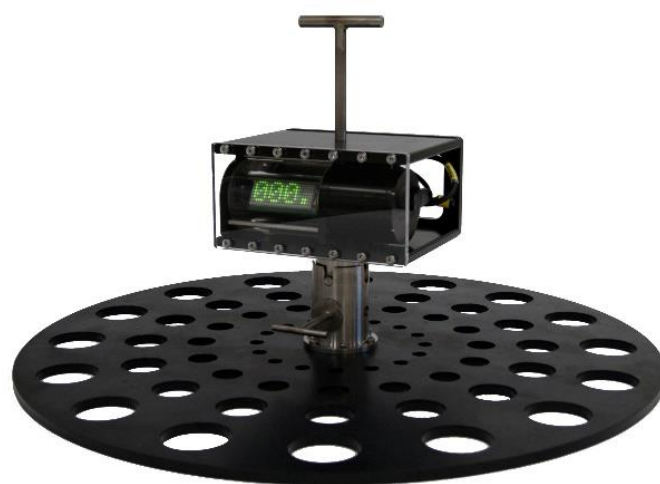
In addition to the stand-alone tilt sensor discussed here, **OceanTILT** is central to our integrated attitude and inclinometer packages:

The **DISTIL** range of subsea displays with integral tilt sensor combine the functionality of **OceanTILT** inclinometer and **OceanDISP** display in a single package. The **DISTIL-M** is the most compact model in the range, shown below left.

AMS and **AMS-M** include display, battery and master switch modules within a robust deployment frame, such as the bespoke configuration shown below right.



DISTIL-M display with integral tilt sensor



AMS-M subsea inclinometer package

Product datasheets, GA drawings, case studies and other supporting documents are available to download from data.oceantools.co.uk
All specifications are subject to change without notice. E&OE.

Version 5 (10.04.2017)