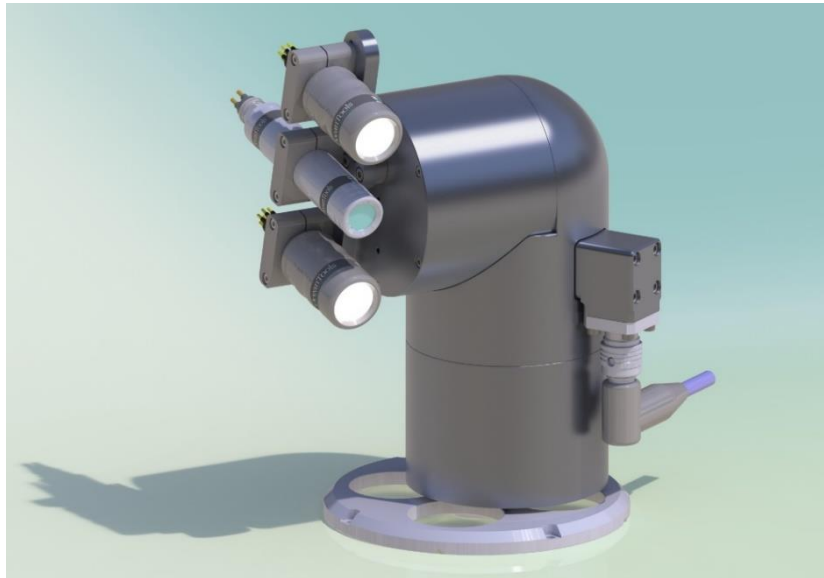


OceanTools

PT2S

Underwater Pan & Tilt

The **OceanTools PT2S** is a versatile pan & tilt unit with electronic control, full 360° pan operation and absolute positional feedback, designed for a wide range of subsea and underwater applications.



Overview

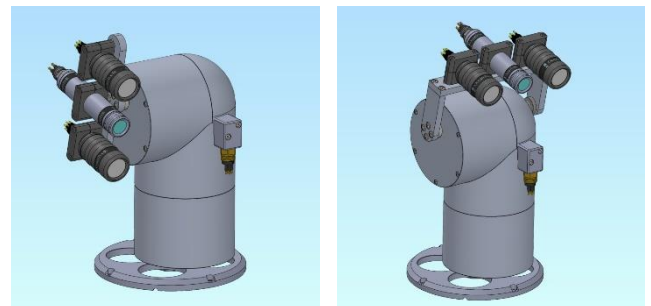
The **PT2S** is controllable via RS485 or RS232 serial commands or by switching $\pm 24\text{VDC}$ onto each axis. It offers **absolute positional feedback** rather than relative positional feedback, and remembers its pan & tilt positions – even after being powered down.

The internally compensated units are manufactured using extremely high quality components including smart high torque metal gear servo drives for precise motor control. **Full 360° pan operation** is supported, within the 200mm diameter footprint.

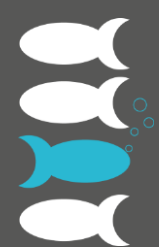
The versatile unit can be configured for side or overhead payload mounting. The input connector on the front of the unit can be direct side mounted or use a right angled adaptor. An optional output connector on the rear can route power and data for cameras, lights or other payload if required.

Key Features

- Full 360° pan operation
- Movement in both axes simultaneously
- High accuracy absolute positional feedback
- 3000m standard depth rating

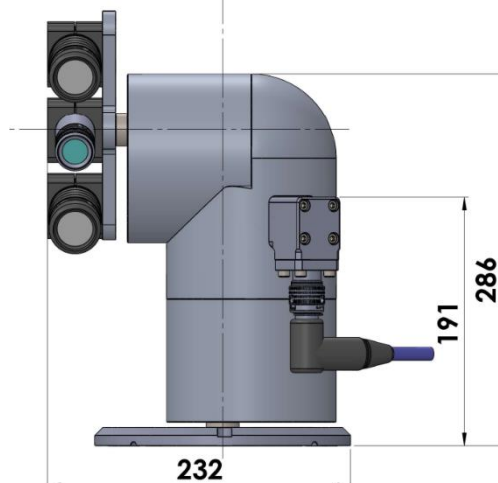
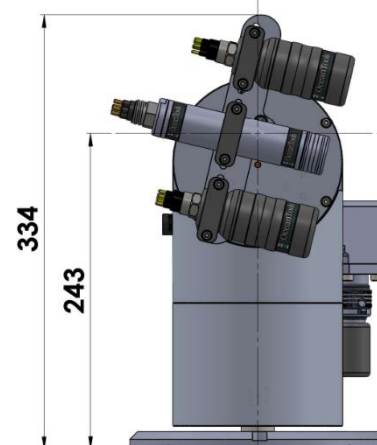
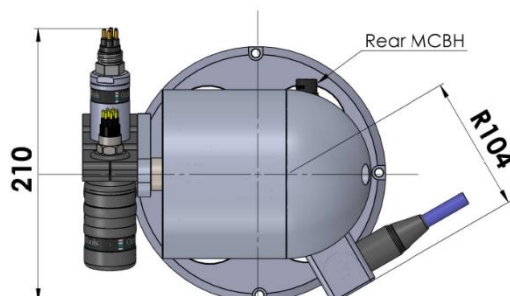


Side or overhead payload mounting options



Specifications

	PT2S
Pan range	360° or +/-180°
Tilt range	Up to +/-180°
Maximum output speed	90°/sec (adjustable)
Position accuracy	< 0.1°
Backlash	0.35°
Control method	RS485, RS232 or ±24VDC
Supply voltage	24VDC
Maximum current, per axis	2.25A @ 24VDC
Quiescent current	< 0.1A @ 24VDC
Safe working load	10kg
Output torque, per axis	18Nm
Standard input connector	Glenair G5506-1508
Standard output connector	Subconn MCBH8F
Body height *	286mm
Base plate diameter	200mm
Weight in air *	6.2kg
Weight in water *	5.3kg
Depth rating	3000m
Operating temperature	-10°C to +50°C
Housing material	Anodised Aluminium
* Excluding mounting bracket or payload	



Dimensions with typical payload:
C3 camera and pair of L3 lights