

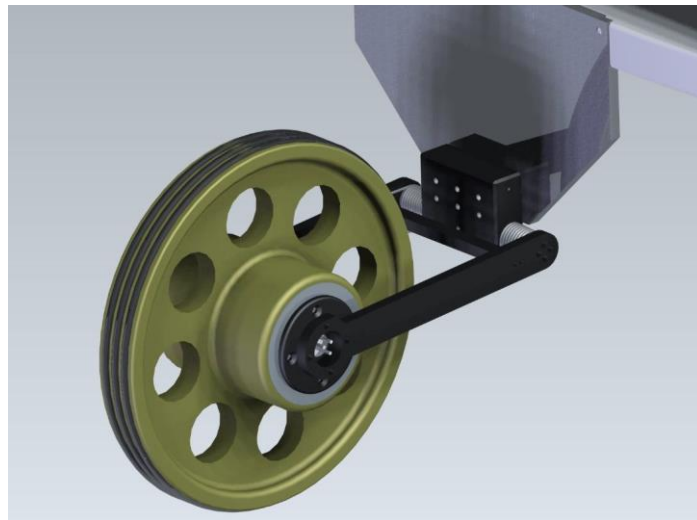


OceanTools

ROVOR

Remotely Operated Vehicle Odometer

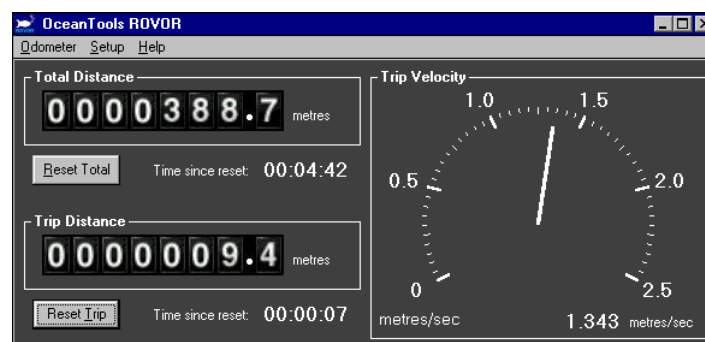
The **OceanTools ROVOR** is a high precision odometer designed to measure distances travelled by an ROV along a pipeline.



Overview

The **ROVOR** Remotely Operated Vehicle Odometer consists of a high precision angular rotary encoder with 0.1 degree measurement accuracy. A 300mm diameter wheel held by spring loaded support arms tracks the distance travelled by an ROV.

The system generates a serial output for remote monitoring. Display software with a simple graphical user interface shows the total distance and trip distance travelled, the durations involved, and an optional speedometer to indicate velocity.



ROVOR display software



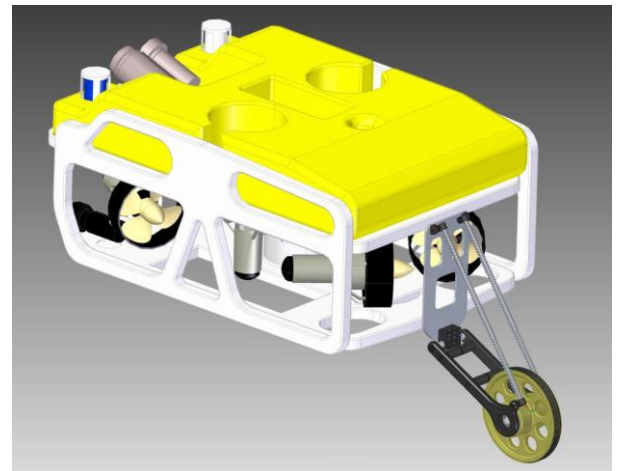
OceanTools

ROVOR

Remotely Operated Vehicle Odometer

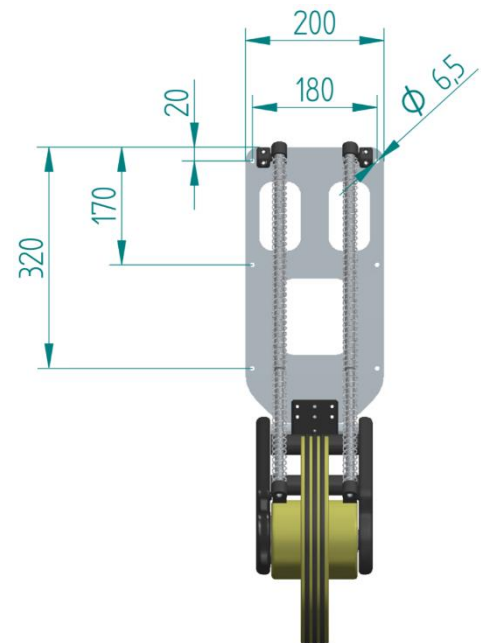
Key Features

- Linear accuracy 0.3mm
- Free running angular data output at 9600 baud
- Spring loaded for improved traction
- Display software with logging function



ROVOR mounted on a typical ROV

Specifications	
Wheel diameter	300mm
Linear accuracy	0.3mm
Serial output	RS232 or RS485
Serial baud rate	9600
Standard connector	MCBH8M
Voltage input	12–24VDC
Maximum current	55mA @ 12VDC
Overall length *	400mm
Overall width *	170mm
Weight in air *	3.8kg
Weight in water *	1.6kg
* = excluding mounting plate adapter	



Related Products

The **ADMS** Angle and Distance Measurement System features the same rotary encoder as **ROVOR**, with interchangeable wheel and lever options to measure angle of rotation, distance travelled, rotation speed and number of turns.

Product datasheets, GA drawings, case studies and other supporting documents are available to download from data.oceantools.co.uk

All specifications are subject to change without notice. E&OE.

Version 3 (17.01.2018)